



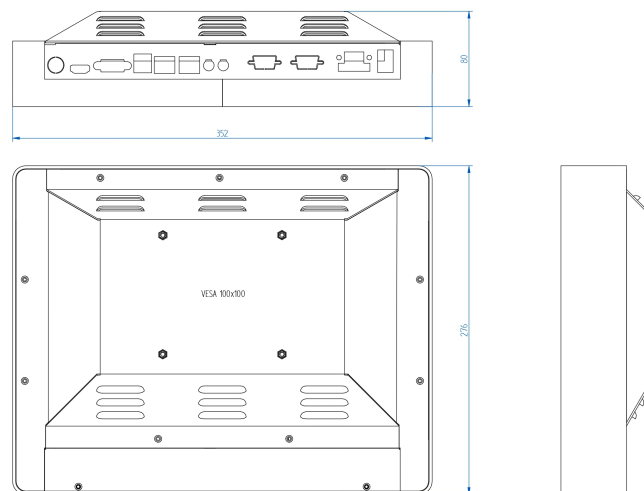
- Intel® Celeron™ J1900 Quad Core 2,00 GHz
- 15" Projected Capacitive Multitouch Display (PCAP)
- Aluminum
- Made in Spain
- Fanless compact design



CPU boards with latest generation Intel® Processors, fanless, low power consumption and exceptional performance.  
Manufactured in Aluminium.  
Projected Capacitive Multitouch sensor (PCAP).



### Dimensions



### Specifications

Display	
Touch technology	Projected Capacitive MultiTouch (PCAP)
Inches	15"
Format	4:3
Resolution	1024 x 768
Backlight	LED
Brightness	300 cd/m2
Ratio contrast	2000:1
Angle vision	176/176
LED Life Time	70.000 h

System	
CPU	Intel® Celeron® J1900 Quad Core 2,00 GHz
Memory	2Gb Scalable to 8Gb
Hard Drive	60/120/240GB SSD. 500GB/1TB SATA.
Graphics	Intel® HD Graphics
Chipset	J1900 Onboard (SoC)
OS	Win7 Pro / Win7 Embedded / Win10 Pro / Win10 IoT Enterprise / Linux

Input / Ouput	
USB Ports	4 x USB 2.0
Serial Ports	1x RS-232/422/485
Ethernet	2 x Realtek Giga Ethernet
Video	1 x VGA
Audio	1 x Audio output
Expansión	2 x Mini-PCIe / 1 x PCIe1

Optionals	
Screen	High brightness for outdoors use
USB Ports	2 x USB 2.0
Serial Ports	5 x RS-232
Modem	3G / LTE + GPS
WIFI Module	Wifi 2,4GHz / Wifi 2,4GHz i 5GHz + Bluetooth
Slot PCIe	To Be Consulted
Others	To Be Consulted

Protection / Environmental Conditions	
IP & Material	Double Height Aluminum Front Panel
°C Operation	0° a 60° C
°C Storage	-10° a 70° C
Humidity (no condensation)	0% - 95%

Power Supply	
Input Voltage	12Vdc (External power supply 110-220Vac/12Vdc)
Optional Input Voltage	-