



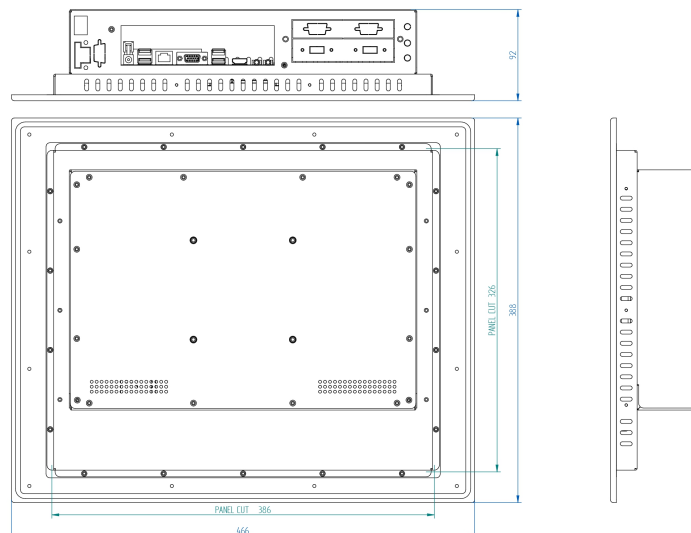
- Intel Atom® x5-E3940 Quad Core 1,60 GHz
- 17" IK08 Projected Capacitive Multipoint Display (PCAP)
- Anodized Aluminum
- IP66 Front Protection
- Fanless compact design
- Made in Spain



CPU boards with latest generation Intel® Processors, fanless, low power consumption and exceptional performance.
IP66 Front Bezel protection, available in Anodized Aluminum or Stainless Steel.
5-Wire Resistive or Projected Capacitive Multitouch sensor (PCAP).



Dimensions



Specifications

Display	
Touch technology	IK08 Projected Capacitive MultiTouch (PCAP)
Inches	17"
Format	5:4
Resolution	1280 x 1024
Backlight	LED
Brightness	350 cd/m2
Ratio contrast	1000:1
Angle vision	170/160
LED Life Time	50.000 h

System	
CPU	Intel Atom® x5-E3940 Quad Core 1,60 GHz
Memory	2Gb Scalable to 8Gb
Hard Drive	60/120/240GB SSD. 500GB/1TB SATA.
Graphics	Intel® HD Graphics
Chipset	E3940 SoC Processor (TDP 10W/9.5W)
OS	Win10 Pro / Win10 IoT Enterprise / Linux

Input / Ouput	
USB Ports	3 x USB 3.1 / 1 x USB2.0
Serial Ports	-
Ethernet	2 x Intel® Giga Ethernet
Video	1 x HDMI
Audio	1 x Audio output
Expansión	1 x Mini-PCIe / 1 x M.2 M-key (2242) / 1 x M.2 B-key (3042)

Optionals	
Screen	High brightness for outdoors use
USB Ports	2 x USB 2.0
Serial Ports	1 x RS-232 / 1 x RS-232/422/485
Modem	3G / LTE + GPS
WIFI Module	Wifi 2,4GHz / Wifi 2,4GHz i 5GHz + Bluetooth
Slot PCIe	To Be Consulted
Others	To Be Consulted

Protection / Environmental Conditions	
IP & Material	IP66 Anodized Aluminum Front Bezel
°C Operation	0° a 55° C
°C Storage	0° a 85° C
Humidity (no condensation)	0% a 95%

Power Supply	
Input Voltage	9-36Vdc (External 110-220V/12Vdc)
Optional Input Voltage	-