



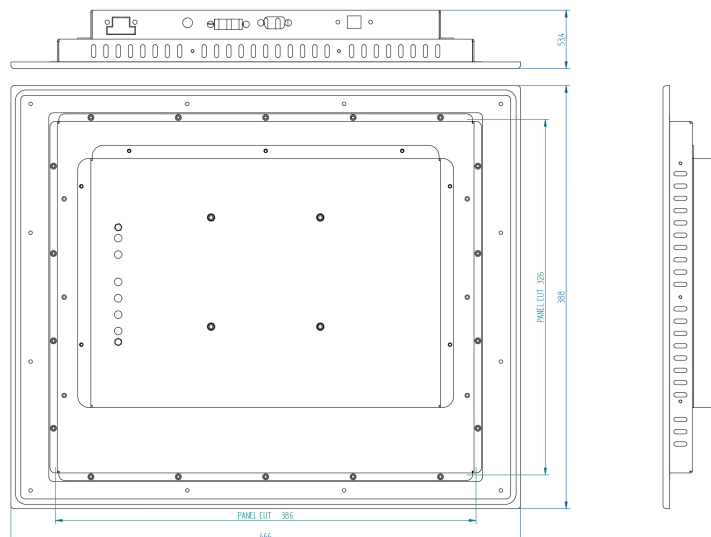
- -
- 17" Projected Capacitive Multitouch Display (PCAP)
- Anodized Aluminum
- IP65 Front Protection
- Compact design
- Made in Spain



IP65 Front Bezel protection, available in Anodized Aluminum or Stainless Steel.
5-Wire Resistive or Projected Capacitive Multitouch sensor (PCAP).



Dimensions



Specifications

Display

Touch technology	Projected Capacitive MultiTouch (PCAP)
Inches	17"
Format	5:4
Resolution	1280 x 1024
Backlight	LED
Brightness	350 cd/m2
Ratio contrast	1000:1
Angle vision	170/160
LED Life Time	50.000 h

System

CPU	-
Memory	-
Hard Drive	-
Graphics	-
Chipset	-
OS	-

Input / Output

USB Ports	1 x USB (Touch Controller)
Serial Ports	-
Ethernet	-
Video	1 x VGA / DVI-D
Audio	-
Expansión	-

Mechanical

Dimensions	466 x 388 x 53,4 mm
Weight	7,3 kg
Mount	Wall-Mount
Panel cut	386 x 326 mm

Optionals

Screen	High brightness for outdoors use
USB Ports	Optional
Serial Ports	-
Modem	-
WIFI Module	-
Slot PCIe	-
Others	-

Protection / Environmental Conditions

IP & Material	IP65 Anodized Aluminum Front Bezel
°C Operation	0° a 60° C
°C Storage	-10° a 70° C
Humidity (no condensation)	0% - 95%

Power Supply

Input Voltage	12Vdc (External power supply 110-220Vac/12Vdc)
Optional Input Voltage	12-36Vdc