



- Intel® Atom™ J6413 Quad Core 3,00 GHz
- 17" 5-Wire Resistive Touch Display
- Anodized Aluminum
- IP65 Front Protection
- Fanless compact design
- Made in Spain



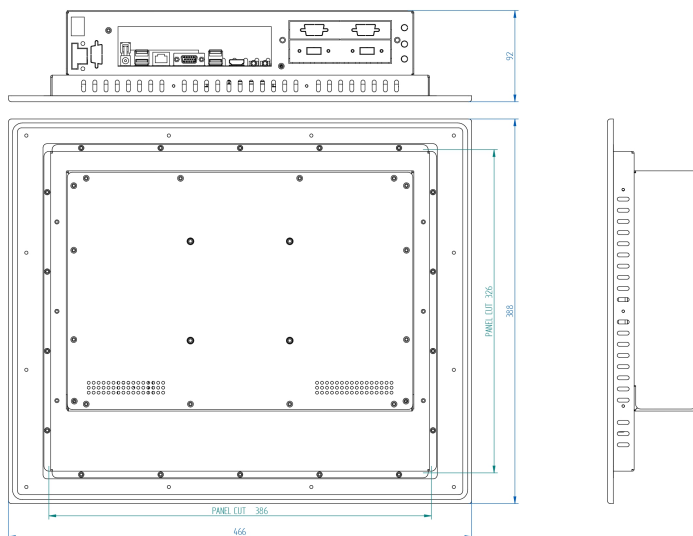
CPU boards with latest generation Intel® Processors, fanless, low power consumption and exceptional performance.

IP65 Front Bezel protection, available in Anodized Aluminum or Stainless Steel.

5-Wire Resistive or Projected Capacitive Multitouch sensor (PCAP).



Dimensions



Specifications

Display

Touch technology	5-Wire Resistive
Inches	17"
Format	5:4
Resolution	1280 x 1024
Backlight	LED
Brightness	1600 cd/m2
Ratio contrast	1000:1
Angle vision	170/160
LED Life Time	50.000 h

System

CPU	Intel® Atom™ x6413 Quad Core 3,00 GHz
Memory	DDR4 2Gb Scalable to 32Gb
Hard Drive	60/120/240/480Gb SSD. 500Gb/1Tb SATA.
Graphics	Intel® HD Graphics
Chipset	x6413E Sistema en placa (SoC)
OS	Win10 Pro / Win10 IoT Enterprise / Linux

Input / Ouput

USB Ports	2 x USB 3.1 (Gen.2)
Serial Ports	-
Ethernet	2 x Intel® Giga Ethernet
Video	1 x DP++ / 1 x VGA
Audio	1 x Audio output / 1 x Microphone
Expansión	1 x M.2 2230 E key (Support WiFi 5 & WiFi 6) / 1 x Mini-PCIe or M.2 2280

Mechanical

Dimensions	466 x 388 x 92 mm
Weight	7,3 kg
Mount	Wall-Mount
Panel cut	386 x 326 mm

Optionals

Screen	High brightness for outdoors use
USB Ports	4 x USB 2.0
Serial Ports	1 x RS-232 / 1 x RS-232/422/485
Modem	3G / LTE + GPS
WIFI Module	Wifi 2,4GHz / Wifi 2,4GHz i 5GHz + Bluetooth
Slot PCIe	To Be Consulted
Others	To Be Consulted

Protection / Environmental Conditions

IP & Material	IP65 Anodized Aluminum Front Bezel
°C Operation	0° a 60° C TBC: -20° a 60° C (Atom)
°C Storage	-10° a 70° C TBC: -20° a 70° (Atom)
Humidity (no condensation)	0% a 95%

Power Supply

Input Voltage	9-36Vdc (External 110-220V/12Vdc)
Optional Input Voltage	24 Vdc