



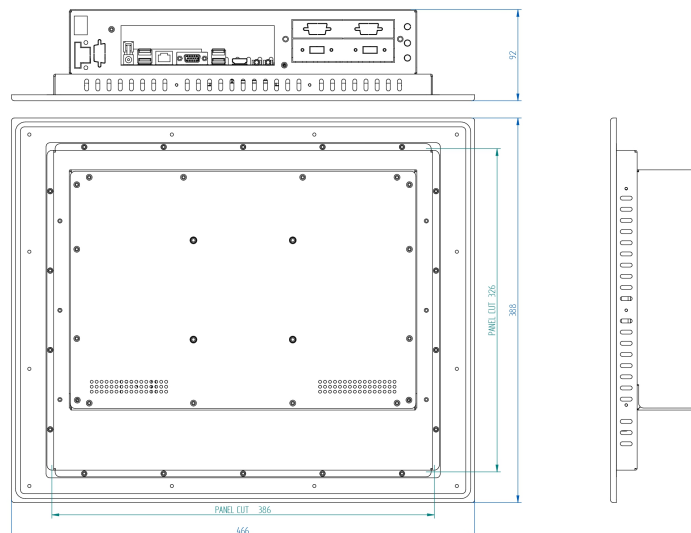
- Intel® Core™ i5-1135G7 2,4Ghz
- 17" Projected Capacitive Multitouch Display (PCAP)
- Anodized Aluminum
- IP65 Front Protection
- Fanless compact design
- Made in Spain



CPU boards with latest generation Intel® Processors, fanless, low power consumption and exceptional performance.
IP65 Front Bezel protection, available in Anodized Aluminum or Stainless Steel.
5-Wire Resistive or Projected Capacitive Multitouch sensor (PCAP).



Dimensions



Specifications

Display

| | |
|------------------|--|
| Touch technology | Projected Capacitive MultiTouch (PCAP) |
| Inches | 17" |
| Format | 5:4 |
| Resolution | 1280 x 1024 |
| Backlight | LED |
| Brightness | 1600 cd/m2 |
| Ratio contrast | 1000:1 |
| Angle vision | 170/160 |
| LED Life Time | 50.000 h |

System

| | |
|------------|---|
| CPU | Intel® Core™ i5-1135G7 (11th Generation) 2,4Ghz |
| Memory | DDR4 2Gb Scalable a 64Gb |
| Hard Drive | 120/240/480Gb SSD M.2 NVMe. 500Gb/1Tb SATA. |
| Graphics | Intel® HD Graphics |
| Chipset | Intel® Tiger Lake i5-1135G7 SoC |
| OS | Win10 Pro / Win10 IoT Enterprise / Linux |

Input / Output

| | |
|--------------|--|
| USB Ports | 4 x USB3.2 (Gen.2) |
| Serial Ports | - |
| Ethernet | 2 x Intel® Giga Ethernet |
| Video | 2 x HDMI / 2 x DP |
| Audio | 1 x Audio output / 1 x Microphone |
| Expansión | 1 x M.2 E-key (2230) USB2.0 / PCIe1 interface support CNVi |

Mechanical

| | |
|------------|-------------------|
| Dimensions | 466 x 388 x 92 mm |
| Weight | 7,3 kg |
| Mount | Wall-Mount |
| Panel cut | 386 x 326 mm |

Optionals

| | |
|--------------|--|
| Screen | High brightness for outdoors use |
| USB Ports | 4 x USB 2.0 |
| Serial Ports | 2 x RS-232 / 2 x RS-232/422/485 |
| Modem | 3G / LTE + GPS |
| WIFI Module | Wifi 2,4GHz / Wifi 2,4GHz i 5GHz + Bluetooth |
| Slot PCIe | To Be Consulted |
| Others | To Be Consulted |

Protection / Environmental Conditions

| | |
|----------------------------|--|
| IP & Material | IP65 Anodized Aluminum Front Bezel |
| °C Operation | 0° a 60° C TBC: -20° a 60° C (Atom) |
| °C Storage | -10° a 70° C TBC: -20° a 70° (Atom) |
| Humidity (no condensation) | 0% a 95% |

Power Supply

| | |
|------------------------|--|
| Input Voltage | 9-24Vdc (External power supply) 110-220Vac/12Vdc) |
| Optional Input Voltage | 24Vdc |