



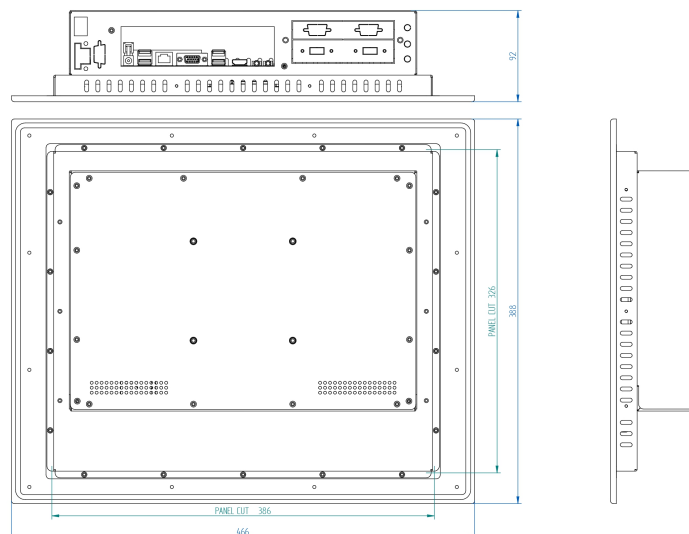
- Intel Atom® x5-E3940 Quad Core 1,60 GHz
- 17" 5-Wire Resistive Touch Display
- Anodized Aluminum
- IP65 Front Protection
- Fanless Compact Design
- Made in Spain



CPU boards with latest generation Intel® Processors, fanless, low power consumption and exceptional performance.
IP65 Front Bezel protection, available in Anodized Aluminum or Stainless Steel.
5-Wire Resistive or Projected Capacitive Multitouch sensor (PCAP).



Dimensions



Specifications

Display

| | |
|------------------|------------------|
| Touch technology | 5-Wire Resistive |
| Inches | 17" |
| Format | 5:4 |
| Resolution | 1280 x 1024 |
| Backlight | LED |
| Brightness | 350 cd/m2 |
| Ratio contrast | 1000:1 |
| Angle vision | 170/160 |
| LED Life Time | 50.000 h |

System

| | |
|------------|--|
| CPU | Intel Atom® x5-E3940 Quad Core 1,60 GHz |
| Memory | 2Gb Scalable to 8Gb |
| Hard Drive | 60/120/240GB SSD. 500GB/1TB SATA. |
| Graphics | Intel® HD Graphics |
| Chipset | E3940 SoC Processor (TDP 10W/9.5W) |
| OS | Win10 Pro / Win10 IoT Enterprise / Linux |

Input / Ouput

| | |
|--------------|---|
| USB Ports | 3 x USB 3.1 / 1 x USB2.0 |
| Serial Ports | - |
| Ethernet | 2 x Intel® Giga Ethernet |
| Video | 1 x HDMI |
| Audio | 1 x Audio output |
| Expansión | 1 x Mini-PCle / 1 x M.2 M-key (2242) / 1 x M.2 B-key (3042) |

Mechanical

| | |
|------------|-------------------|
| Dimensions | 466 x 388 x 92 mm |
| Weight | 7,3 kg |
| Mount | Wall-Mount |
| Panel cut | 386 x 326 mm |

Optionals

| | |
|--------------|--|
| Screen | High brightness for outdoors use |
| USB Ports | 2 x USB 2.0 |
| Serial Ports | 1 x RS-232 / 1 x RS-232/422/485 |
| Modem | 3G / LTE + GPS |
| WIFI Module | Wifi 2,4GHz / Wifi 2,4GHz i 5GHz + Bluetooth |
| Slot PCIe | To Be Consulted |
| Others | To Be Consulted |

Protection / Environmental Conditions

| | |
|----------------------------|--|
| IP & Material | IP65 Anodized Aluminum Front Bezel |
| °C Operation | 0° a 60° C TBC: -20° a 60° C (Atom) |
| °C Storage | -10° a 70° C TBC: -20° a 70° (Atom) |
| Humidity (no condensation) | 0% a 95% |

Power Supply

| | |
|------------------------|-----------------------------------|
| Input Voltage | 9-36Vdc (External 110-220V/12Vdc) |
| Optional Input Voltage | - |