



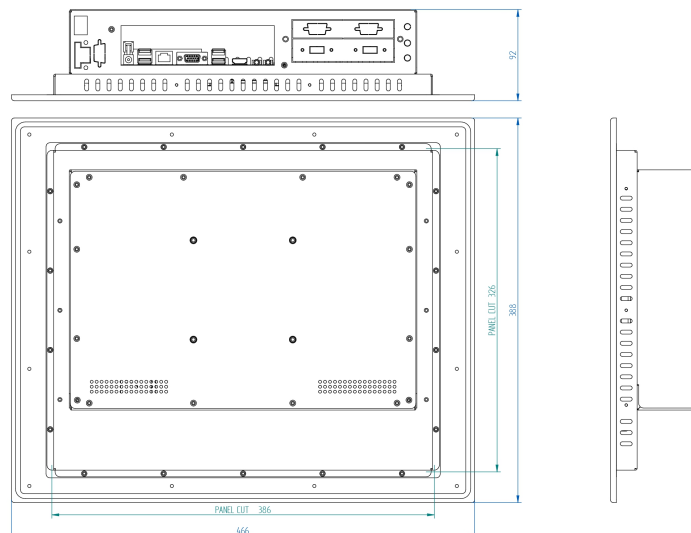
- Intel® Core™ i7-9700 3,00 GHz
- 17" Projected Capacitive Multitouch Display (PCAP)
- Anodized Aluminum
- IP65 Front Protection
- Compact design
- Made in Spain



CPU boards with latest generation Intel® Processors, fanless, low power consumption and exceptional performance.  
IP65 Front Bezel protection, available in Anodized Aluminum or Stainless Steel.  
5-Wire Resistive or Projected Capacitive Multitouch sensor (PCAP).



### Dimensions



### Specifications

#### Display

|                  |  |
|------------------|--|
| Touch technology | Projected Capacitive MultiTouch (PCAP) |
| Inches           | 17"                                    |
| Format           | 5:4                                    |
| Resolution       | 1280 x 1024                            |
| Backlight        | LED                                    |
| Brightness       | 350 cd/m2                              |
| Ratio contrast   | 1000:1                                 |
| Angle vision     | 170/160                                |
| LED Life Time    | 50.000 h                               |

#### System

|            |  |
|------------|--|
| CPU        | Intel® Core™ i7-9700 (9th Generation) 3,00 GHz |
| Memory     | DDR4 2Gb Scalable to 32Gb                      |
| Hard Drive | 60/120/240Gb SSD. 500Gb/1Tb SATA.              |
| Graphics   | Intel® HD Graphics                             |
| Chipset    | Intel® Q370 Express                            |
| OS         | Win10 Pro / Win10 IoT Enterprise / Linux       |

#### Input / Ouput

|              |  |
|--------------|--|
| USB Ports    | 6 x USB 3.1  |
| Serial Ports | 2x RS-232/422/485  |
| Ethernet     | 2 x Intel® Giga Ethernet   |
| Video        | 1 x VGA / 1 x HDMI / 1 x DP  |
| Audio        | 1 x Audio output / 1 x Microphone  |
| Expansión    | PCI Express 3.0 x16 slot / 1 x Full-size mSATA / 1 x Half-size Mini-PCIE slot / 5 x SATA3 6Gb Soporta RAID 0, 1, 5, 10 |

#### Mechanical

|            |                   |
|------------|-------------------|
| Dimensions | 466 x 388 x 92 mm |
| Weight     | 7,3 kg            |
| Mount      | Wall-Mount        |
| Panel cut  | 386 x 326 mm      |

#### Optionals

|              |  |
|--------------|--|
| Screen       | High brightness for outdoors use             |
| USB Ports    | 4 x USB 3.1 / 2 x USB 2.0                    |
| Serial Ports | 4 x RS-232                                   |
| Modem        | 3G / LTE + GPS                               |
| WIFI Module  | Wifi 2,4GHz / Wifi 2,4GHz i 5GHz + Bluetooth |
| Slot PCIe    | To Be Consulted                              |
| Others       | To Be Consulted                              |

#### Protection / Environmental Conditions

|                            |  |
|----------------------------|--|
| IP & Material              | IP65 Anodized Aluminum Front Bezel     |
| °C Operation               | 0° a 60° C<br>TBC: -20° a 60° C (Atom) |
| °C Storage                 | -10° a 70° C<br>TBC: -20° a 70° (Atom) |
| Humidity (no condensation) | 0% a 95%                               |

#### Power Supply

|                        |  |
|------------------------|--|
| Input Voltage          | 9-24Vdc (External power supply)<br>110-220Vac/12Vdc) |
| Optional Input Voltage | -  |