



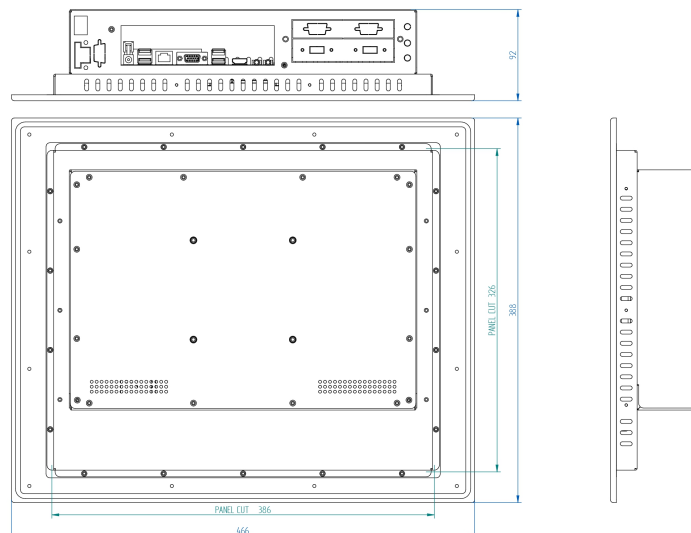
- Intel® Celeron™ J1900 Quad Core 2,00 GHz
- 17" FLAT 5-Wire Resistive Touch Display
- Anodized Aluminum
- IP66 Front Protection
- Fanless compact design
- Made in Spain



CPU boards with latest generation Intel® Processors, fanless, low power consumption and exceptional performance.  
IP66 Front Bezel protection, available in Anodized Aluminum or Stainless Steel.  
5-Wire Resistive or Projected Capacitive Multitouch sensor (PCAP).



### Dimensions



### Specifications

#### Display

Touch technology	FLAT 5-Wire Resistive
Inches	17"
Format	5:4
Resolution	1280 x 1024
Backlight	LED
Brightness	350 cd/m2
Ratio contrast	1000:1
Angle vision	170/160
LED Life Time	50.000 h

#### System

CPU	Intel® Celeron® J1900 Quad Core 2,00 GHz
Memory	2Gb Scalable to 8Gb
Hard Drive	60/120/240GB SSD. 500GB/1TB SATA.
Graphics	Intel® HD Graphics
Chipset	J1900 Onboard (SoC)
OS	Win7 Pro / Win7 Embedded / Win10 Pro / Win10 IoT Enterprise / Linux

#### Input / Ouput

USB Ports	4 x USB 2.0
Serial Ports	-
Ethernet	1 x Realtek Giga Ethernet
Video	1 x VGA / 1 x HDMI
Audio	1 x Audio output / 1 x Microphone
Expansión	2 x Mini-PCIe / 1 x PCIe1

#### Optionals

Screen	High brightness for outdoors use
USB Ports	1 x USB 2.0 / 1 x USB 3.0
Serial Ports	2 x RS-232
Modem	3G / LTE + GPS
WIFI Module	Wifi 2,4GHz / Wifi 2,4GHz i 5GHz + Bluetooth
Slot PCIe	To Be Consulted
Others	To Be Consulted

#### Protection / Environmental Conditions

IP & Material	IP66 Anodized Aluminum Front Bezel
°C Operation	0° a 60° C TBC: -20° a 60° C (Atom)
°C Storage	-10° a 70° C TBC: -20° a 70° (Atom)
Humidity (no condensation)	0% a 95%

#### Power Supply

Input Voltage	12Vdc (External power supply 110-220Vac/12Vdc)
Optional Input Voltage	-