



- Intel® N97™ 3,6Ghz
- 21.5" Projected Capacitive Multitouch Display (PCAP)
- Stainless Steel 316L
- IP66 Full Protection
- Fanless compact design
- Made in Spain



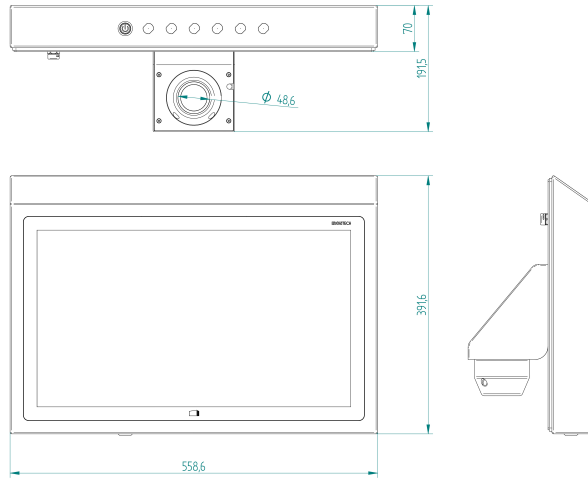
CPU boards with latest generation Intel® Processors, fanless, low power consumption and exceptional performance. Manufactured in 316L Stainless Steel with full IP66 enclosure. Selection and configuration up to five ports, among COM (serial), USB or Ethernet ports, through IP69 connectors. 5-Wire Resistive or Projected Capacitive Multitouch sensor (PCAP).



Dimensions

IRTWPC215PC2XSA

HYDRA - Full IP66 Panel PC



Specifications

Display

Touch technology	Projected Capacitive MultiTouch (PCAP)
Inches	21,5"
Format	16:9
Resolution	1920 x 1080
Backlight	LED
Brightness	1000 cd/m2
Ratio contrast	5000:1
Angle vision	178/178
LED Life Time	50.000 h

System

CPU	Intel® N97™ Quad Core 3,60 GHz
Memory	DDR5 4Gb Scalable to 16Gb
Hard Drive	60/120/240/480Gb SSD. 500Gb/1Tb SATA.
Graphics	Intel® UHD Graphics
Chipset	N97 Onboard (SoC)
OS	Win10/11 Pro / Win10/11 IoT Enterprise / Linux

Input / Ouput

USB Ports	1 x USB 3.2 (Gen.2) Type-A, 1 x USB 3.2 (Gen.2) Type-C, 4 x USB 2.0
Serial Ports	-
Ethernet	2 x Intel® Giga Ethernet
Video	2 x HDMI
Audio	1 x Audio output / 1 x Microphone
Expansión	1 x M.2 2230 E key, 1 x M.2 3042/3052 B key

Mechanical

Dimensions	557,6 x 391,6 x 70 mm
Weight	19,5 kg
Mount	-
Panel cut	-

Optionals

Screen	High brightness for outdoors use
USB Ports	4 x USB 2.0
Serial Ports	5 x RS-232 / 1 x RS-232/422/485
Modem	3G / LTE + GPS
WIFI Module	Wifi 2,4GHz / Wifi 2,4GHz i 5GHz + Bluetooth
Slot PCIe	To Be Consulted
Others	To Be Consulted

Protection / Environmental Conditions

°C Operation	0° a 60° C TBC: -20° a 60° C (Atom)
°C Storage	-10° a 70° C TBC: -20° a 70° (Atom)
Humidity (no condensation)	0% a 95%

Power Supply

Input Voltage	9-28Vdc (External 110-220V/12Vdc)
Optional Input Voltage	-