



- Intel® Atom™ x6413 Quad Core 3,00 GHz
- 21.5" Projected Capacitive Multitouch Display (PCAP)
- Stainless Steel 316L
- IP65 Full Protection
- Fanless compact design
- Made in Spain



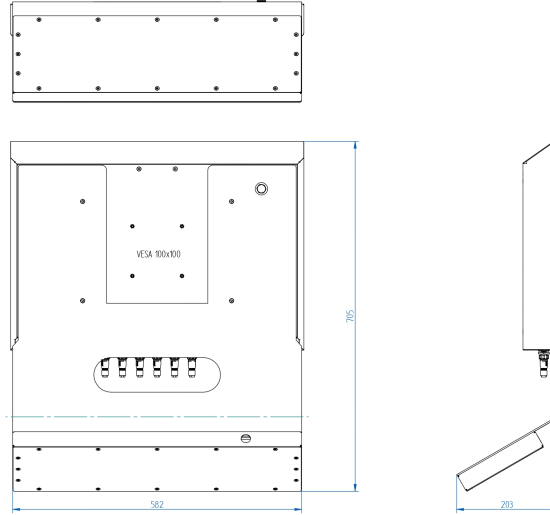
CPU boards with latest generation Intel® Processors, fanless, low power consumption and exceptional performance.

Manufactured in 316L Stainless Steel with full IP65 enclosure. Selection and configuration up to five ports, among COM (serial), USB or Ethernet ports, through IP68 connectors. Includes IP65 Stainless Steel Keyboard.

5-Wire Resistive or Projected Capacitive Multitouch sensor (PCAP).



### Dimensions



### Specifications

#### Display

Touch technology	Projected Capacitive MultiTouch (PCAP)
Inches	21,5"
Format	16:9
Resolution	1920 x 1080
Backlight	LED
Brightness	250 cd/m2
Ratio contrast	5000:1
Angle vision	178/178
LED Life Time	30.000 h

#### System

CPU	Intel® Atom™ x6413 Quad Core 3,00 GHz
Memory	DDR4 2Gb Scalable to 32Gb
Hard Drive	60/120/240/480Gb SSD. 500Gb/1Tb SATA.
Graphics	Intel® HD Graphics
Chipset	x6413E Sistema en placa (SoC)
OS	Win10 Pro / Win10 IoT Enterprise / Linux

#### Input / Ouput

USB Ports	2 x USB 3.1 (Gen.2)
Serial Ports	-
Ethernet	2 x Intel® Giga Ethernet
Video	1 x DP++ / 1 x VGA
Audio	1 x Audio output / 1 x Microphone
Expansión	1 x M.2 2230 E key (Support WiFi 5 & WiFi 6) / 1 x Mini-PCIe or M.2 2280

#### Optionals

Screen	High brightness for outdoors use
USB Ports	4 x USB 2.0
Serial Ports	1 x RS-232 / 1 x RS-232/422/485
Modem	3G / LTE + GPS
WIFI Module	Wifi 2,4GHz / Wifi 2,4GHz i 5GHz + Bluetooth
Slot PCIe	To Be Consulted
Others	To Be Consulted

#### Protection / Environmental Conditions

IP & Material	Full IP65 Stainless Steel 316L
°C Operation	0° a 60° C TBC: -20° a 60° C (Atom)
°C Storage	-10° a 70° C TBC: -20° a 70° (Atom)
Humidity (no condensation)	0% a 95%

#### Power Supply

Input Voltage	9-36Vdc (External 110-220V/12Vdc)
Optional Input Voltage	24 Vdc