



- Intel® Core™ i5-1145G7e 2,4Ghz
- 21.5" Projected Capacitive Multitouch Display (PCAP)
- Stainless Steel 316L
- IP65 Full Protection
- Fanless compact design
- Made in Spain



Intel®
Processors



Touch
Technology



Efficient Power
Consumption



Double
Display



IP65 Full
Enclosure

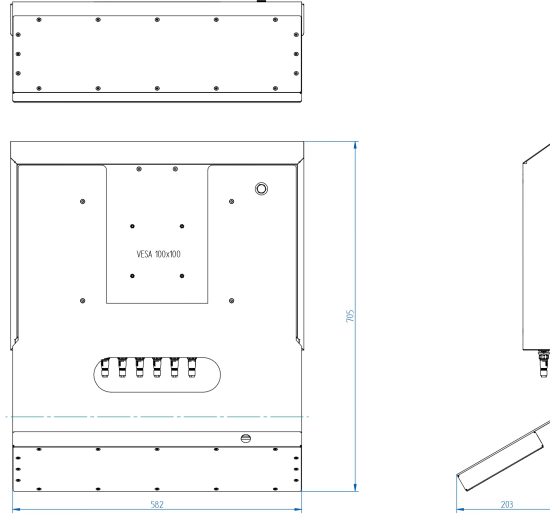
CPU boards with latest generation Intel® Processors, fanless, low power consumption and exceptional performance.

Manufactured in 316L Stainless Steel with full IP65 enclosure. Selection and configuration up to five ports, among COM (serial), USB or Ethernet ports, through IP68 connectors. Includes IP65 Stainless Steel Keyboard.

5-Wire Resistive or Projected Capacitive Multitouch sensor (PCAP).



Dimensions



Specifications

Display	
Touch technology	Projected Capacitive MultiTouch (PCAP)
Inches	21,5"
Format	16:9
Resolution	1920 x 1080
Backlight	LED
Brightness	250 cd/m2
Ratio contrast	5000:1
Angle vision	178/178
LED Life Time	30.000 h

System	
CPU	Intel® Core™ i5-1145G7e (11th Generation) 2,4Ghz
Memory	DDR4 2Gb Scalable a 64Gb
Hard Drive	120/240/480Gb SSD M.2 NVMe. 500Gb/1Tb SATA.
Graphics	Intel® HD Graphics
Chipset	Intel® Tiger Lake i5-1135G7 SoC
OS	Win10 Pro / Win10 IoT Enterprise / Linux

Input / Output	
USB Ports	4 x USB3.2 (Gen.2)
Serial Ports	-
Ethernet	2 x Intel® Giga Ethernet
Video	2 x HDMI / 2 x DP
Audio	1 x Audio output / 1 x Microphone
Expansión	1 x M.2 E-key (2230) USB2.0 / PCIe x1 interface support CNVi

Optionals	
Screen	High brightness for outdoors use
USB Ports	4 x USB 2.0
Serial Ports	2 x RS-232 / 2 x RS-232/422/485
Modem	3G / LTE + GPS
WIFI Module	Wifi 2,4GHz / Wifi 2,4GHz i 5GHz + Bluetooth
Slot PCIe	To Be Consulted
Others	To Be Consulted

Protection / Environmental Conditions	
IP & Material	Full IP65 Stainless Steel 316L
°C Operation	0° a 60° C TBC: -20° a 60° C (Atom)
°C Storage	-10° a 70° C TBC: -20° a 70° (Atom)
Humidity (no condensation)	0% a 95%

Power Supply	
Input Voltage	9-24Vdc (External power supply) 110-220Vac/12Vdc)
Optional Input Voltage	24Vdc